

---

# **Connessione PC con LK202 PLC OMRON C200H**

30-09-2019

Rev.1.0

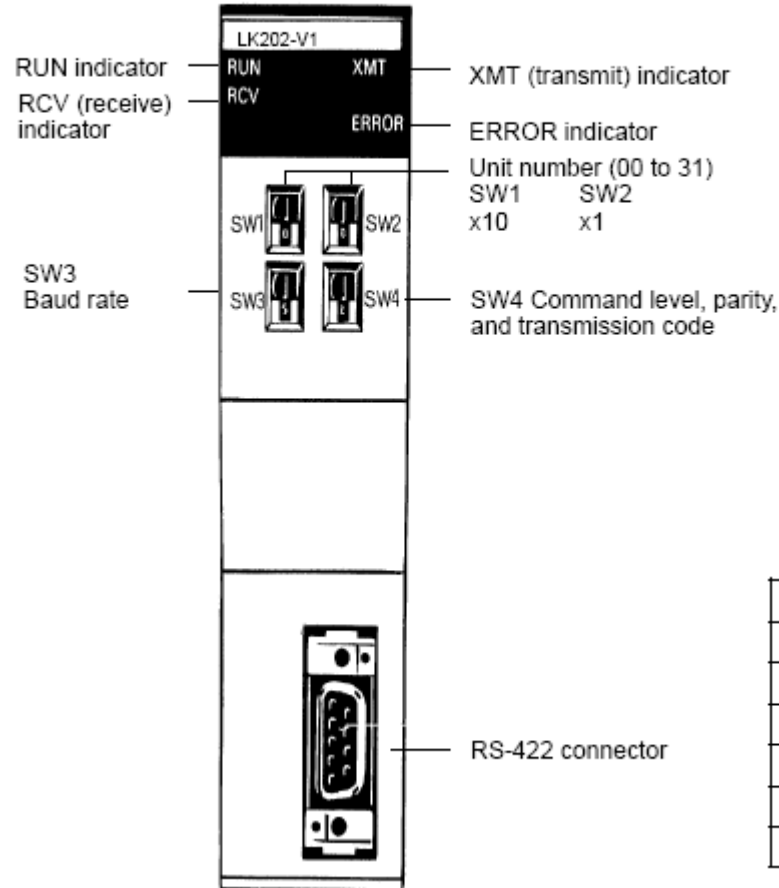


# Piedinatura scheda C200H-LK202



## Front Panel

### C200H-LK202-V1



Signal <sup>†</sup>	Symbol	Pin No.
Send data A	SDA	9
Send data B	SDB	5
Receive data A	RDA	6
Receive data B	RDB	1
Signal ground	SG	3
Frame ground	FG	7

# Switch Setting

## SW1 and SW2

These switches are used to set the Unit number.

The same unit number must not be specified for more than one Unit.

## SW3: Baud Rate

The baud rate of the Host Link Unit, as determined by the following switch settings, must match that of the host computer.

SW3	Baud rate
0	300 bps
1	600 bps
2	1,200 bps
3	2,400 bps
4	4,800 bps
5	9,600 bps
6	19,200 bps
7	Do not set
8	
9	

## SW4: Command Level, Parity and Transmission Code

SW4	Command Level*	Parity	Transmission Code
0	1	Even	ASCII 7 bit, 2 stop bits
1	1,2		
2	1,2,3**		
3	Do not set		
4	1	Odd	
5	1,2		
6	1,2,3		
7	Do not set		
8	1	Even	JIS 8 bit, 1 stop bit
9	1,2		
A	1,2,3		
B	Do not set		
C	1	Odd	
D	1,2		
E	1,2,3		
F	Do not set		

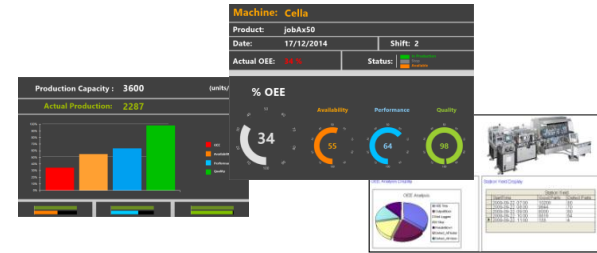
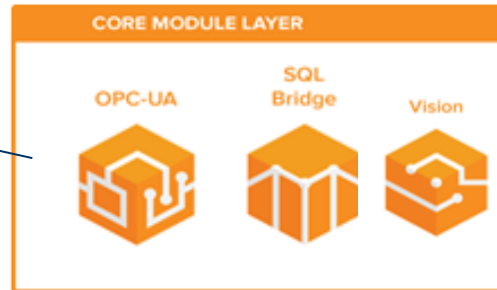
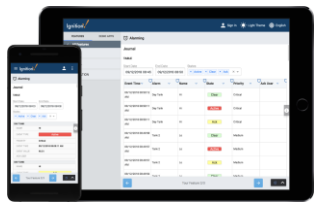
# Convertitore RS232-RS422

---



Tx+ - - - - - Rx+ - - - - - Rx+ - - - - - Rx+ - - - - - Rx+ - - - - - Rx+  
Tx- - - - - Rx- - - - - Rx- - - - - Rx- - - - - Rx- - - - - Rx-  
Rx+ - - - - - Tx+ - - - - - Tx+ - - - - - Tx+ - - - - - Tx+ - - - - - Tx+  
Rx- - - - - Tx- - - - - Tx- - - - - Tx- - - - - Tx- - - - - Tx-

# Schema Collegamento



KPI AND DIAGNOSTIC

DATABASE



SCADA PC



RS232



RS422



# Servizi Offerti

---

- **Architetture e Analisi Fattibilità**
- **Corsi formazione sui prodotti proposti**
- **Supporto tecnico pre e post vendita**
- **Prodotti Certificati a livello mondiale**
- **Repair Center**
- **Rete di Partner (System Integrator) sul territorio**



**Industrial Solutions srls**

Via Ivrea 1

35142 Padova (PD)

Tel: 049 09.81.739

e-mail [info@industrialsolutions.it](mailto:info@industrialsolutions.it)

Web <https://www.industrialsolutions.it/>